



ACCU-TECH, INC.

43718 Utica Road
Sterling Heights, MI - Phone: 586.323.1181
www.accutechmeasurement.com

Location of the **MEASUREMENT FEATURES** on the test piece.

Customer: YOUR CUSTOMER NAME (YOUR COMPANY NAME)

Part Name: PART NAME INSERTED HERE

Part #: PART # INSERTED HERE

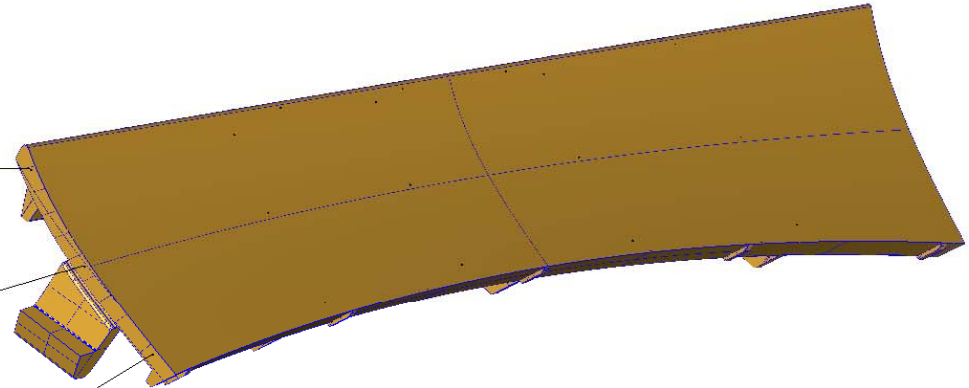
Job #: **YOUR JOB # HERE**

PIECE # FROM SAMPLE

4 1						
	NM	+T	-T	MS	DV	
X	2565.403	0.250	0.250	2565.434	0.031	█
Y	-91.788	0.250	0.250	-92.182	-0.394	█
Z	722.495	0.250	0.250	722.444	-0.051	█
T	0.000	0.250	0.250	0.398	0.398	█

4 2						
	NM	+T	-T	MS	DV	
X	2578.361	0.250	0.250	2578.407	0.046	█
Y	-89.531	0.250	0.250	-89.915	-0.385	█
Z	715.692	0.250	0.250	715.633	-0.059	█
T	0.000	0.250	0.250	0.392	0.392	█

4 3						
	NM	+T	-T	MS	DV	
X	2592.374	0.250	0.250	2592.426	0.052	█
Y	-86.989	0.250	0.250	-87.385	-0.396	█
Z	710.953	0.250	0.250	710.891	-0.062	█
T	0.000	0.250	0.250	0.404	0.404	█



Deviation Key

- F = Forward
- B = Back/Aft
- I = Inboard
- O = Outboard
- H = High
- L = Low

"A Revolution in the Dimensional Inspection Service Industry."

ISO 17025-2005 Certified - A2LA Accredited Laboratory



ACCU-TECH, INC.

43718 Utica Road
 Sterling Heights, MI - Phone: 586.323.1181
www.accutechmeasurement.com

Location of the **MEASUREMENT FEATURES** on the test piece.

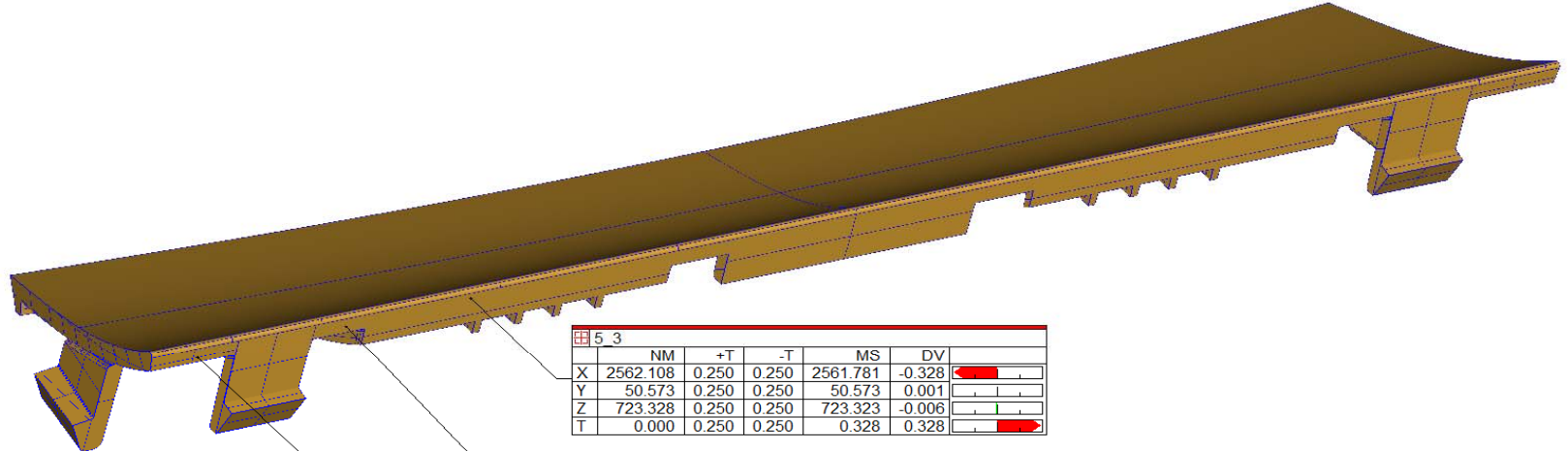
Customer: YOUR CUSTOMER NAME (YOUR COMPANY NAME)

Part Name: PART NAME INSERTED HERE

Part #: PART # INSERTED HERE

Job #: **YOUR JOB # HERE**

PIECE # FROM SAMPLE



5 3						
	NM	+T	-T	MS	DV	
X	2562.108	0.250	0.250	2561.781	-0.328	←
Y	50.573	0.250	0.250	50.573	0.001	
Z	723.328	0.250	0.250	723.323	-0.006	
T	0.000	0.250	0.250	0.328	0.328	→

5 2						
	NM	+T	-T	MS	DV	
X	2562.153	0.250	0.250	2561.694	-0.459	←
Y	66.861	0.250	0.250	66.862	0.001	
Z	722.993	0.250	0.250	722.985	-0.008	
T	0.000	0.250	0.250	0.459	0.459	→

5 1						
	NM	+T	-T	MS	DV	
X	2562.213	0.250	0.250	2561.489	-0.724	←
Y	86.442	0.250	0.250	86.444	0.003	
Z	723.041	0.250	0.250	723.028	-0.013	
T	0.000	0.250	0.250	0.724	0.724	→



Deviation Key

- F = Forward
- B = Back/Aft
- I = Inboard
- O = Outboard
- H = High
- L = Low

"A Revolution in the Dimensional Inspection Service Industry."

ISO 17025-2005 Certified - A2LA Accredited Laboratory